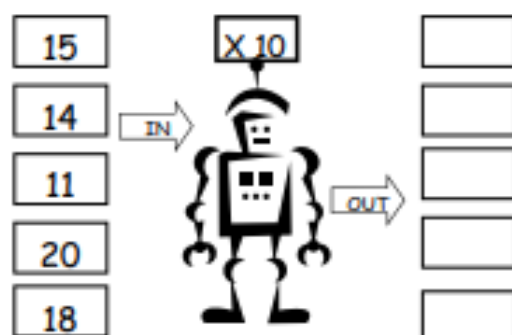
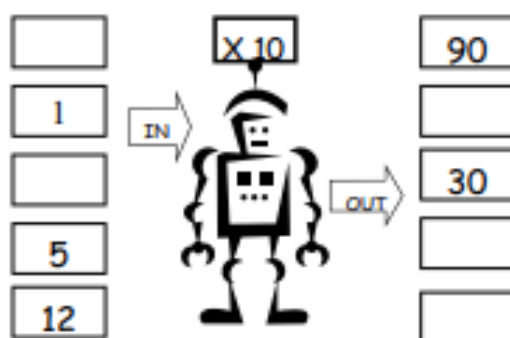
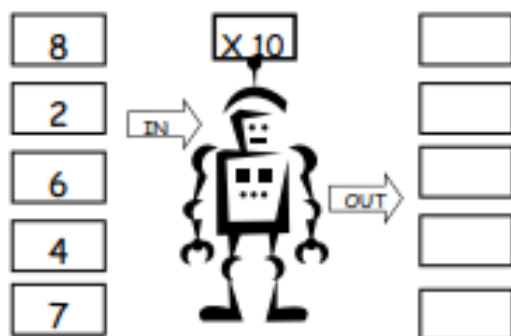
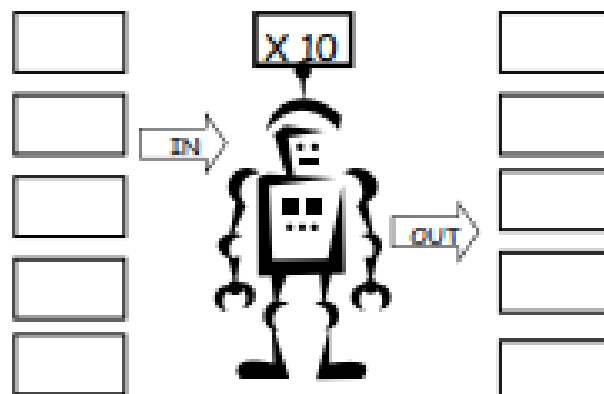
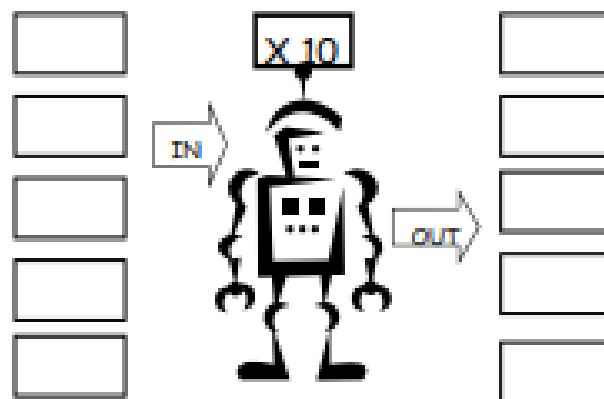
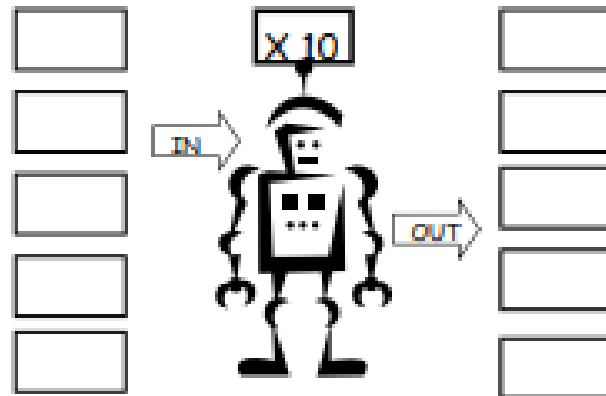


Multiplying by 10

These robots multiply all numbers by 10. Can you fill in the missing numbers and then make up some of your own?

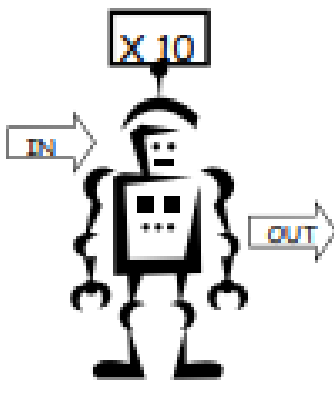


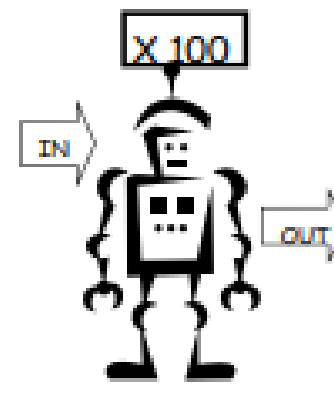
These robots multiply all numbers by 10. Can you fill in the missing numbers and then make up some of your own?

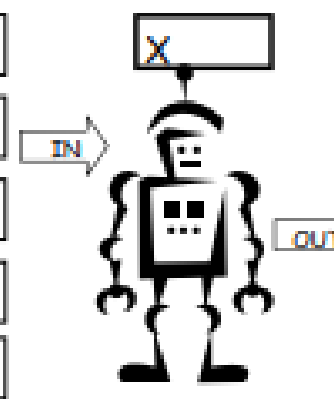


Multiplying by 10, 100 and 1000

Can you fill in the missing numbers and then make up some of your own?

32		
67		
85		
		170
79		

		900
82		
		370
51		
12		

15		
24		
88		
23		
18		

